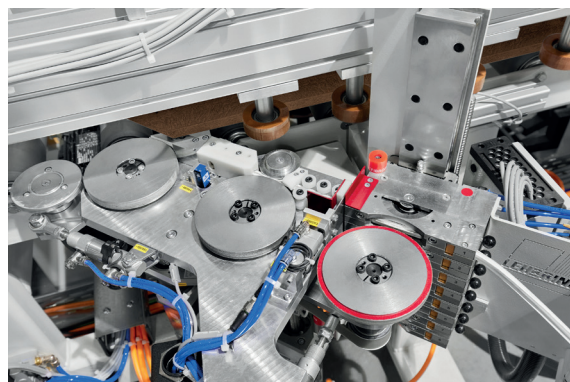




**New developments:**

- Software: New user interface
- Multiflex: Flexible drilling solution for medium quantities
- Centronic: Re-designed concept for batch size 1 production



**Tech Together** goes into the next round: Machine and plant manufacturers from OWL invite you to the joint in-house exhibition for the third time!

The OWL region offers concentrated machine, plant and supplier competence in the field of woodworking. Well-known suppliers covering the entire machining process will open their doors for the joint in-house exhibition and face the interest of the worldwide clientele from 08-09.10.2024.

**Come by our factory and experience our machines live.  
We are looking forward to seeing you!**

Book your appointment now:  
[info@kochtechnology.de](mailto:info@kochtechnology.de)  
+49 5202-9900

Your direct link:  
[www.tech-together.de](http://www.tech-together.de)

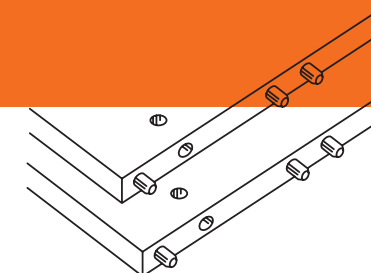


Koch Technology  
Industriestraße 18-22  
33818 Leopoldshöhe  
Germany  
[www.kochtechnology.de](http://www.kochtechnology.de)

# PERSONAL INVITATION

**TECH TOGETHER**  
Woodworking Competence

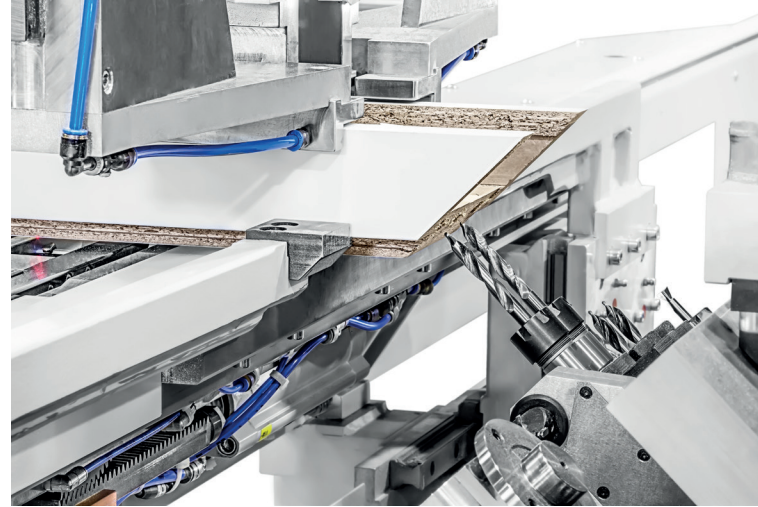
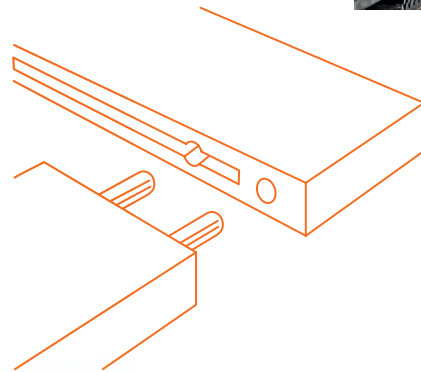
08.-09.10.2024



## What you can expect:

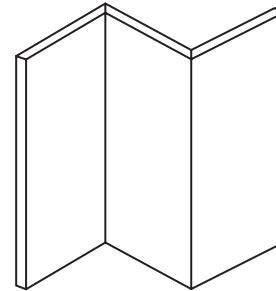
### KOCH

- SPRINT with robot feeding for flexible drilling and doweling for vertical and horizontal processing at the edge with automatic loading
- Line for sawing, edging, hot-stamping and drilling framed doors
- UNIFLEX: Flexible drilling (horizontal and vertical) and dowelling with for one-man operation
- BD-B double cycle: Throughfeed drilling and doweling machines for high quantities
- BD-60: Throughfeed drilling and doweling machine for a part width of up to 600 mm for the processing of carcass bases



### LEHBRINK

- ZKA: Door frame processing with fully automatic hardware setting and 16-fold rubber seal dispenser
- ZBA: For angled holes through the rebate for anchoring frames for fire doors in the wall
- RWB: For seamlessly joined folding rear panels or folding decors for furniture fronts



## Presentations:

### Beckhoff

- Large Language Model | Improving engineering workflow, ChatGPT on the machine
- Machine Learning | AI Workflow: from data acquisition to training and executing AI in real time on the machine

### Välinge

- Threespine: Innovative connection technology

### Rotte

- Automation solutions

### INTELLIGENT FIXINGS

- PEANUT® click connectors

### Jowat

- World of Bonding

